

DESCRIPTION

New Gooseneck Light is a unique decorative lighting fixture that allows you to update the look of your building. Elegant and curved goose neck arm, simple and low-key appearance design, can be well applied to a variety of architectural styles. Installation is quick and easy, and the 28W has a strong function that can support 5 color temperature adjustment.



SPECIFICATION FEATURES

Construction

- Durable surface coating powder spraying can extend the durability of the fixture.
- The integrated shell design can make good use of a variety of wet location environments.
- 5VA rated PC housing for 12W model and die-cast housing for 28W model.

Optics

- General distribution type for most environments.
- Scalable Lumen Packages from 1000 to 3000 Lumens.
- The use of advanced refraction and reflection optical design concepts provides an optimal combination of vertical and horizontal illumination.

LED Module

- Dedicated CCT 3000K 4000K and 5000K are available for 12W while the 28W offers Selectable CCTs, can be adjusted to be 2700K/3000K/4000K/5000K/6500K.

Electrical

- Line Voltage 120V for the 12W model, Universal Voltage 120-277VAC for the 28W model.
- 28W supports the standard 0-10V dimming driver configuration, 12W does not support dimming.
- Both drivers have a power factor >90%, THD <20%.
- Operating Temperature Range: -40°C to 40°C (-40°F - + 104°F).

Control

- Integrated Photocell included.

Installation

- wall mount.

Lifespan

- Estimated 50,000-hour LED lifespan based on IES LM-80 results and TM-21 calculations.

Warranty

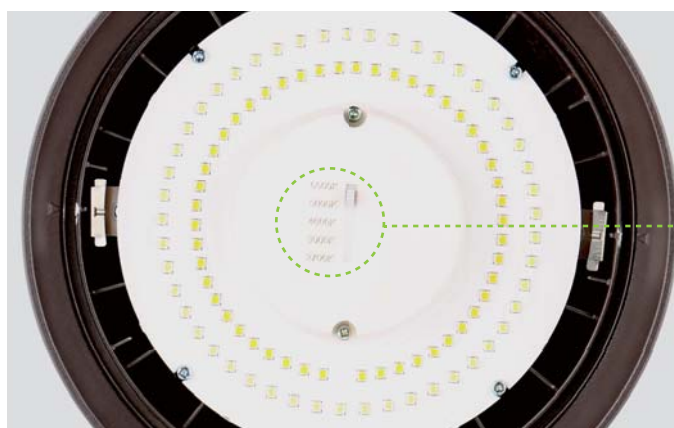
- Two-year limited warranty for 12W.
- Five-year limited warranty for 28W.

Certifications

- UL cUL wet location pending.

Note

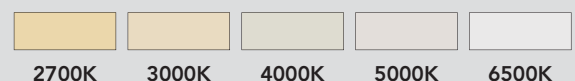
- Actual performance may differ as a result of end-user environment and application. All values are design or typical values, measured under laboratory conditions at 25°C(±5°C) specifications subject to change without notice.



CCT SELECTABLE

28W model has the function of field configurable CCTs.

CCT SELECT



Five CCTs adjustable (2700K, 3000K, 4000K, 5000K, 6500K)

PERFORMANCE DATA

SYSTEM WATTS	VOLTAGE	CRI	3000K		4000K		5000K	
			LUMENS	LPW	LUMENS	LPW	LUMENS	LPW
12W	120V	80	1000lm	83 lm/W	1000lm	83lm/W	1000lm	83lm/W

CCT ADJUSTABLE

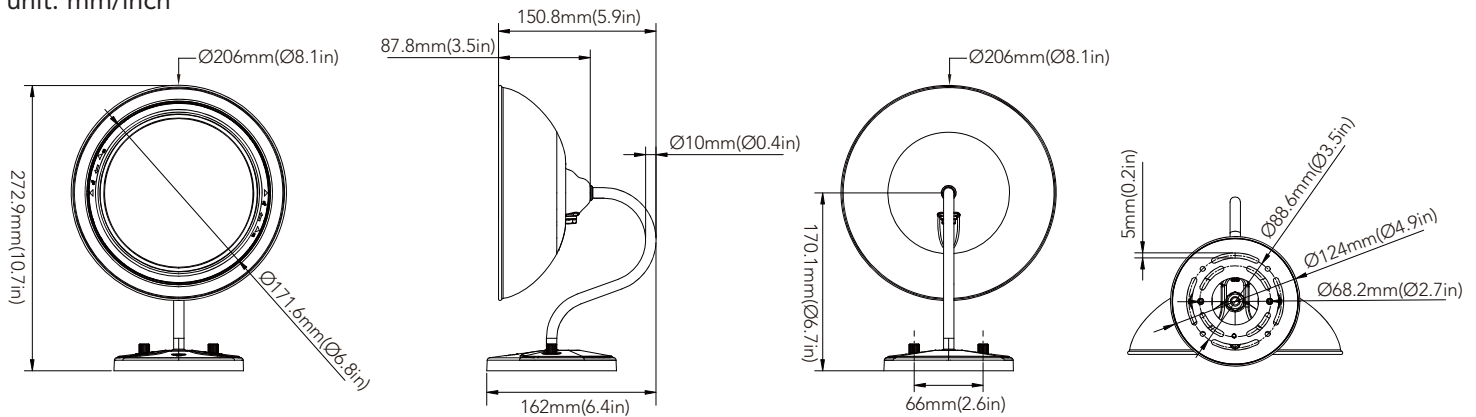
SYSTEM WATTS	VOLTAGE	CRI	2700K		3000K		4000K		5000K		6500K	
			LUMENS	LPW	LUMENS	LPW	LUMENS	LPW	LUMENS	LPW	LUMENS	LPW
28W	120-277V	80	3000lm	107lm/w	3000lm	107lm/w	3000lm	107lm/w	3000lm	107lm/w	3000lm	107lm/w

ELECTRICAL DATA

NUMBER OF DRIVERS	DRIVER CURRENT (mA)	NOMINAL POWER (W)	INPUT VOLTAGE (V)	CURRENT (Amps)
1	450	28	120	0.23
		28	208	0.13
		28	240	0.12
		28	277	0.10

DIMENSION

unit: mm/inch



Remarks: the same size for both models.